

## **Replacement Parts List**

### **Ordering Replacement Parts**

The following pages show replacement parts for the model C1060 Headset Intercom.

Order parts by the model number, part number, part name and quantity required.

Replacement parts and their prices are available by calling:

1-800-328-0033

Replacement parts correspondence, write to:

3M Commercial Care Division  
Food Service Business  
3M Center  
St. Paul, MN 55144-1000

### **Technical Service**

For technical assistance, call:

1-800-328-0033

Write to:

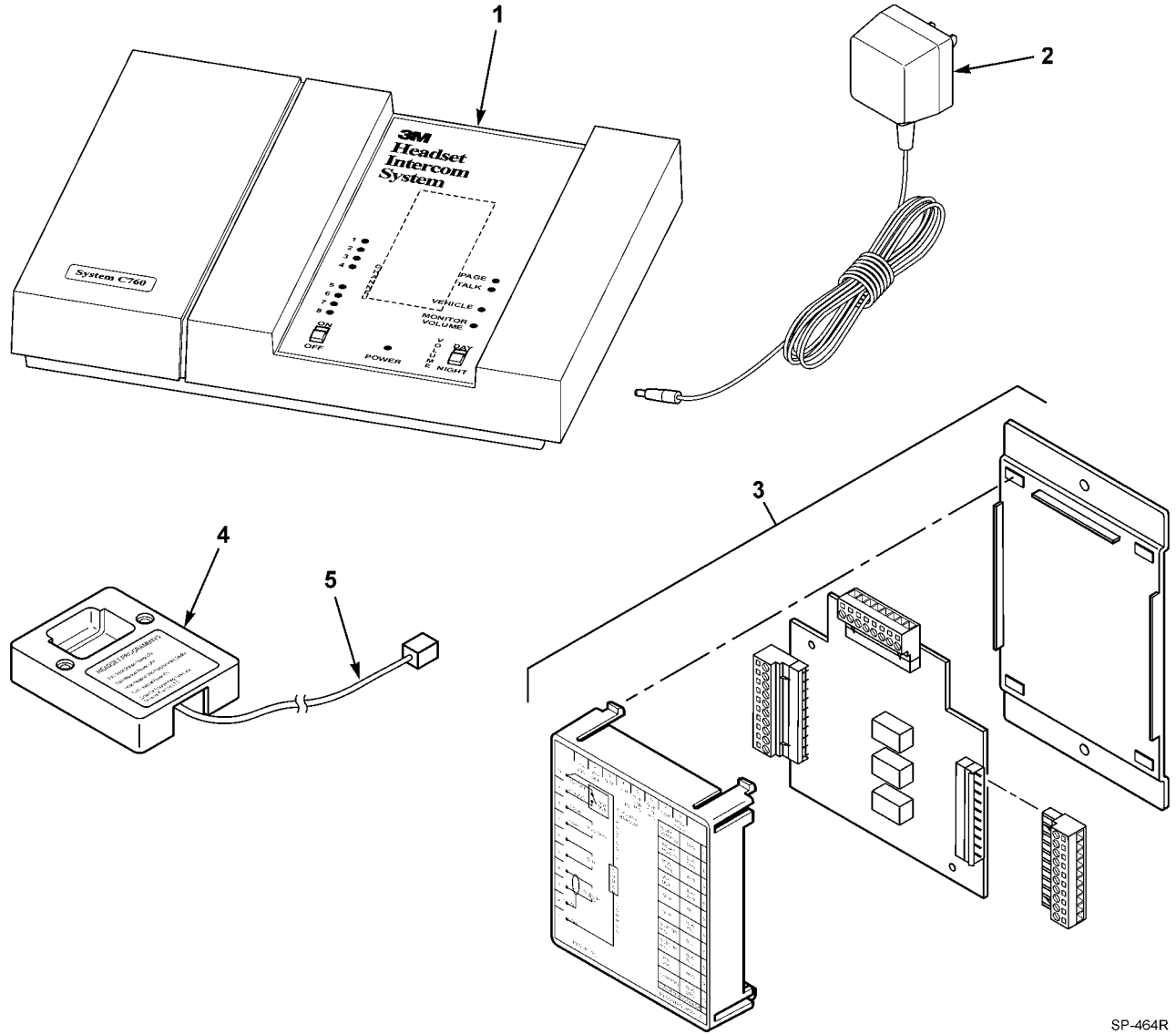
3M Commercial Care Division  
Food Service Business  
3M Center  
St. Paul, MN 55144-1000

Or visit our website:

**[www.3M.com/foodservice](http://www.3M.com/foodservice)**

# Replacement Parts List (continued)

## Section 1 – Base Station Assembly, Interconnect Module, and Programming Station

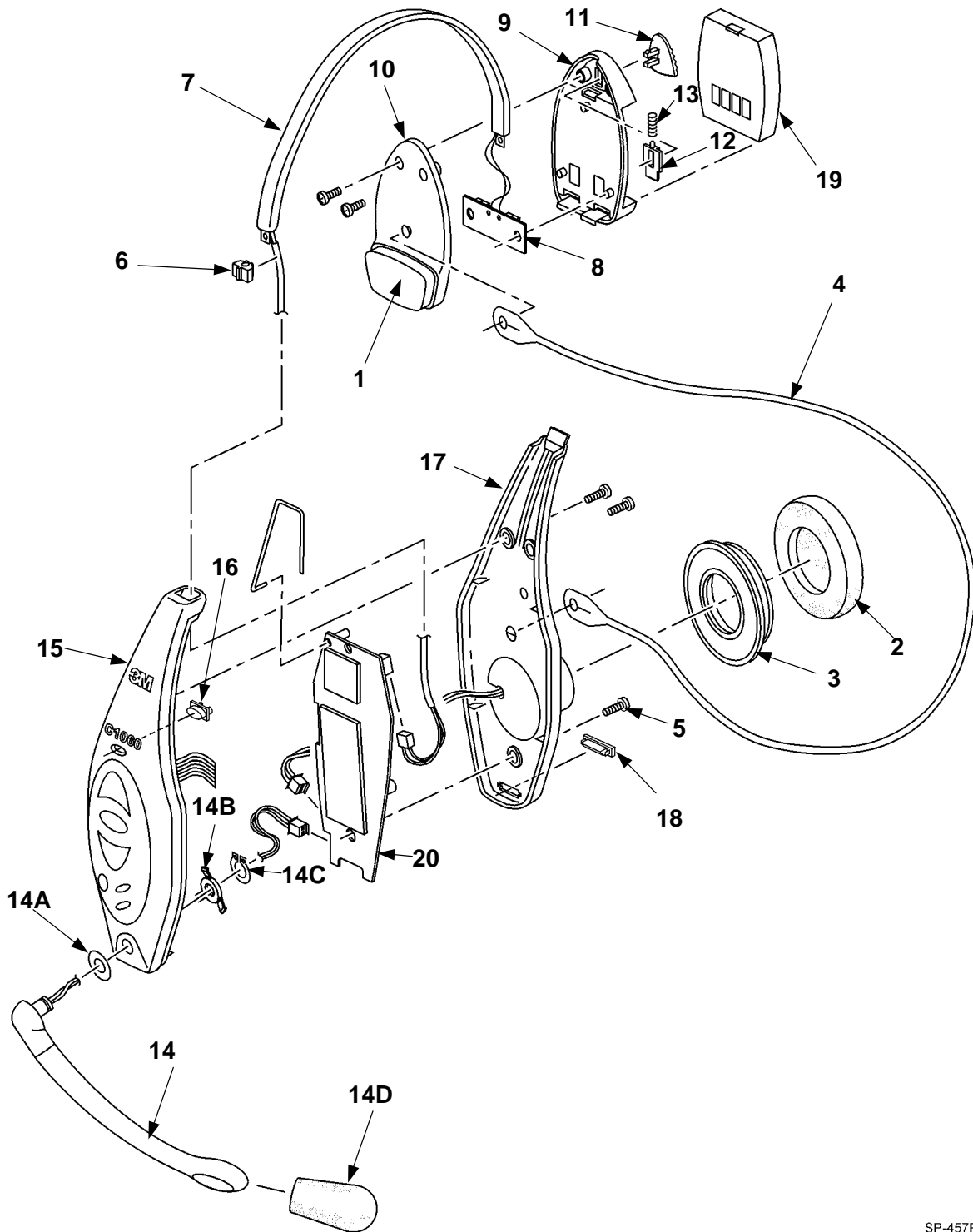


SP-464R

<b>Item No.</b>	<b>Part Number</b>	<b>Description</b>	<b>Qty.</b>
0	78-9236-6826-9	BASE STATION ASSEMBLY, Model C922 (w/o Power Supply)	1
1	78-8095-0500-7	CABINET, Base Station	1
1A	78-8095-0965-2	HINGE, Assembly, (Replacement)	1
2	78-6911-4430-3	POWER SUPPLY, 13.5 VDC, 20 VA	1
3	78-6911-3777-8	INTERCONNECT MODULE	1
4	78-6911-4722-3	PROGRAMMING STATION	1
5	N/A separately	CORD, connecting Base Station to Programming Station	1

# Replacement Parts List (continued)

## Section 2 – Headset Assembly



SP-457R

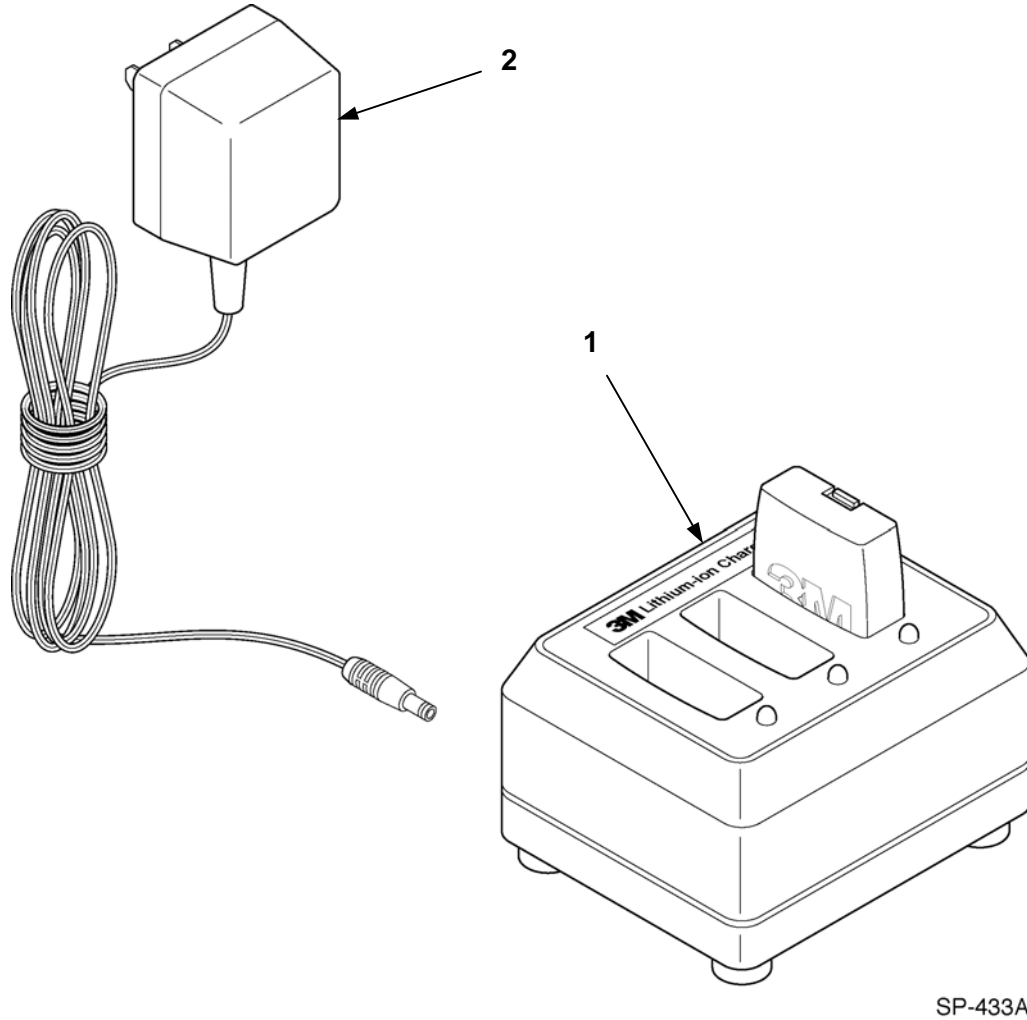
Item No.	Part Number	Description	Qty.
0	78-6911-4723-1	Headset Model C1060	1
1	78-6911-4727-2	Headband Pad, for Model C1060 (pkg of 10)	1
2	78-6911-4728-0	Ear Pad, for Model C1060 (pkg of 10)	1
3	78-6911-4729-8	Ear Cup, for Model C1060 (pkg of 5)	1
4	78-8117-4110-3	Safety Strap	1
5	N/A separately	Screw, 2-56 X .4375 Pan Hd. Phillips, Stainless, Black	5
6	78-8117-4088-1	Clip, Headband Slide (min. order qty. 20)	1
7	78-8117-4123-6	Headband Assembly (includes Clip, Headband Slide)	1
8 *	N/A separately	PWA, Battery Holder	1
9 *	N/A separately	Base, Battery Holder	1
10*	N/A separately	Cover, Battery Holder	1
11*/ **	N/A separately	Button, Battery Latch	1
12*/ **	N/A separately	Latch, Battery	1
13*/ **	N/A separately	Spring, Battery Latch	1
14	N/A	Mic, Boom	1
14A	N/A	Washer, Nylon, Mic Boom	1
14B	N/A	Washer, Spring, Mic Boom	1
14C	N/A	Retaining Ring, Mic Boom	1
14D	78-6911-4745-4	Windscreen Mic (pkg of 10)	1
15	78-8117-4133-5	Outer Case Assembly (contains LED Lens, Bezel, Switches)	1
16	N/A separately	Lens, LED (contained in Outer Case Ass'y (item 15))	1
17	78-8117-4127-7	Inner Case Assembly (contains IR Lens, Speaker, 3 Screws)	1
18	N/A separately	Lens, IR (contained in Inner Case Ass'y (item 17))	1
19	78-6911-4721-5	Battery Model C1060	1
20	N/A	PWA, Main, Model C1060	1

\* These parts are contained in Battery Terminal Kit, 78-6911-4160-8 including two Screws (item 5) and one Headband Pad (item 1)

\*\*These parts are contained in Battery Latch and Button Kit, 78-6911-4910-4

**Replacement Parts List** (continued)

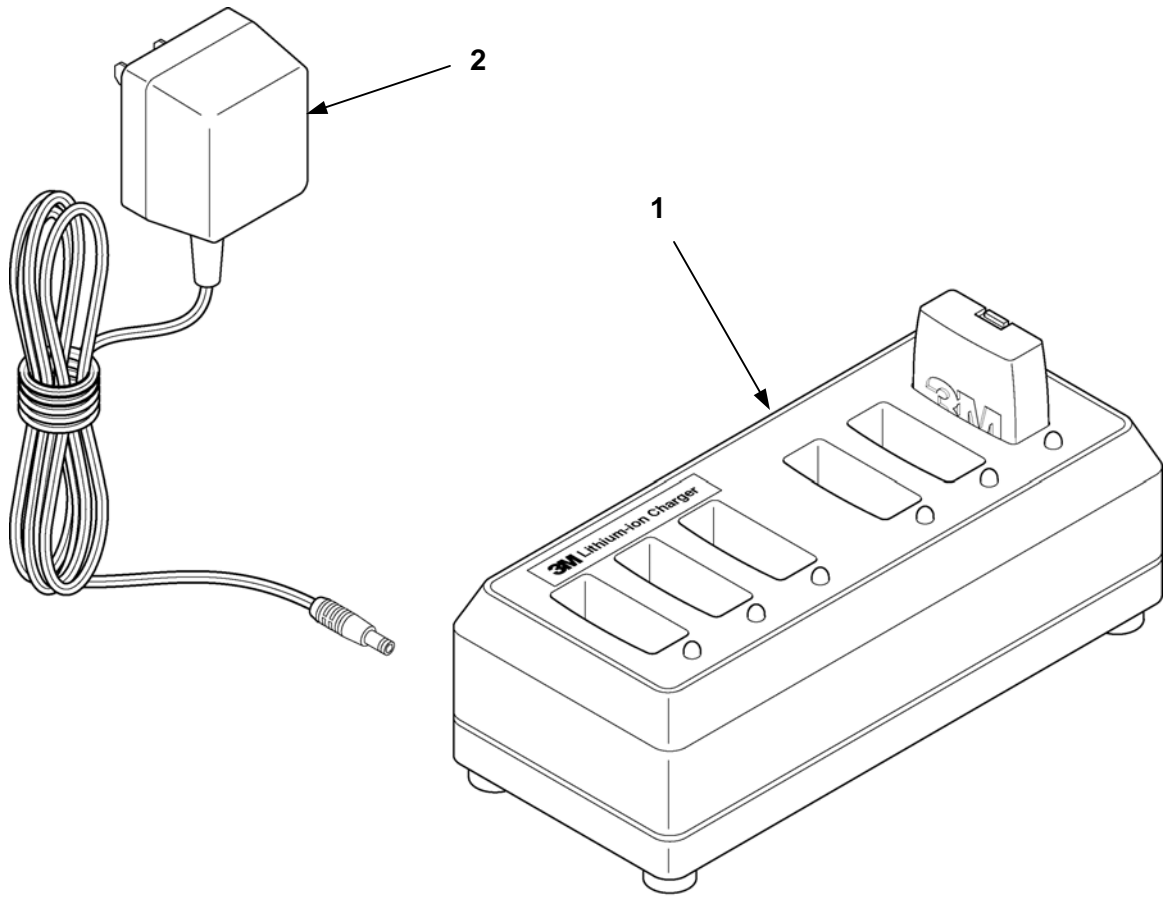
**Section 3 – 3-Slot Battery Charger Assembly**



SP-433A

<b>Item No.</b>	<b>Part Number</b>	<b>Description</b>	<b>Qty.</b>
1	78-6911-4724-9	BATTERY CHARGER, 3-Slot, for Model C1060	1
2	78-8028-9283-2	POWER SUPPLY, 14 VAC (battery charger)	1

Section 4 – 6-Slot Battery Charger Assembly



SP-434A

Item No.	Part Number	Description	Qty.
1	78-6911-4725-6	BATTERY CHARGER, 6-Slot, for Model C1060	1
2	78-8028-9283-2	POWER SUPPLY, 14 VAC, (Battery Charger)	1

## Service Procedures

### Replacing the Ear Cup, the Ear Pad, or the Headband Pad

#### Tools Required:

None

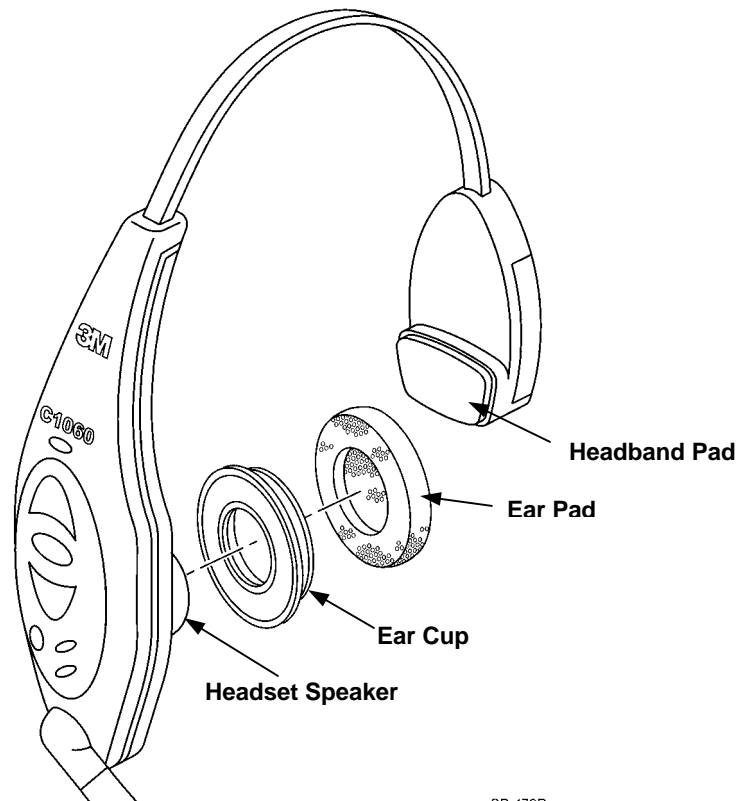
#### Procedures:

##### Ear Cup and Ear Pad Replacement:

1. Twist and pull the Ear Cup and Ear Pad together free of the speaker on the Inner Case.
2. Separate the Ear Pad from the Ear Cup. Replace Ear Pad and/or Ear Cup with a new one and reassemble.
3. Twist and press into place over speaker.

##### Headband Pad Replacement:

1. Peel the Headband Pad away from the Battery Holder Cover. Clean off any adhesive residue.
2. Remove the protective backing from a new Headband Pad, align and press into place.



SP-472R



## Service Procedures (continued)

### Replacing Inner Case Assembly or Outer Case Assembly

#### Tools Required:

- 1 - Small size Phillips Screwdriver
- 1 – External retaining ring pliers

#### Procedure:



#### IMPORTANT

Always be careful to avoid pinching wires between case halves when reassembling the case. Damaged wiring may cause the headset to fail during use.



#### CAUTION

It is important to disconnect the speaker from the Main PWA as soon as the Inner and Outer Cases are separated to avoid stress on the wires inside the sealed enclosure. Replace the entire Inner Case Assembly if the wires are broken at the speaker. **Do not attempt to replace the speaker separately!**

#### Removing Outer Case:

1. Disconnect the power connector located at the top of the Main PWA.
2. Carefully pull the power wires out of the top groove of the Headband Clip as shown in illustration.
3. Remove the Headband Clip from the Headband end by rotating it 90 degrees and pulling it free of the headband.
4. Pull the Headband Assembly and cable out of the Outer Case.
5. Disconnect the switch bezel ribbon cable by first releasing the two locking tabs on the sides of the ribbon connector. To release, move both tabs toward the edge of the PWA with your finger tips.
6. Disconnect Mic Boom cable from the Main PWA.
7. Remove Main PWA and antenna.
8. Remove Mic Boom assembly as described in the next section.

#### Disassembly procedure

1. Make sure power is off and remove the battery.
2. Remove the Ear Pad and Ear Cup.
3. Remove three screws from the Inner Case.
4. Separate the case halves by pulling the Inner Case down, then apart at the bottom. Carefully raise the Inner Case just over the On-Off Button and slide down slightly to separate. Support the Inner Case so the speaker cable is not strained.
5. Disconnect the speaker cable from the Main PWA. Take care to avoid hitting the capacitor, located near the speaker connector, this may damage the capacitor.
6. Set the Inner Case aside.

**Service Procedures** (continued)

Mic Boom Assembly:

1. Locate and remove the retaining ring using the retaining ring pliers.

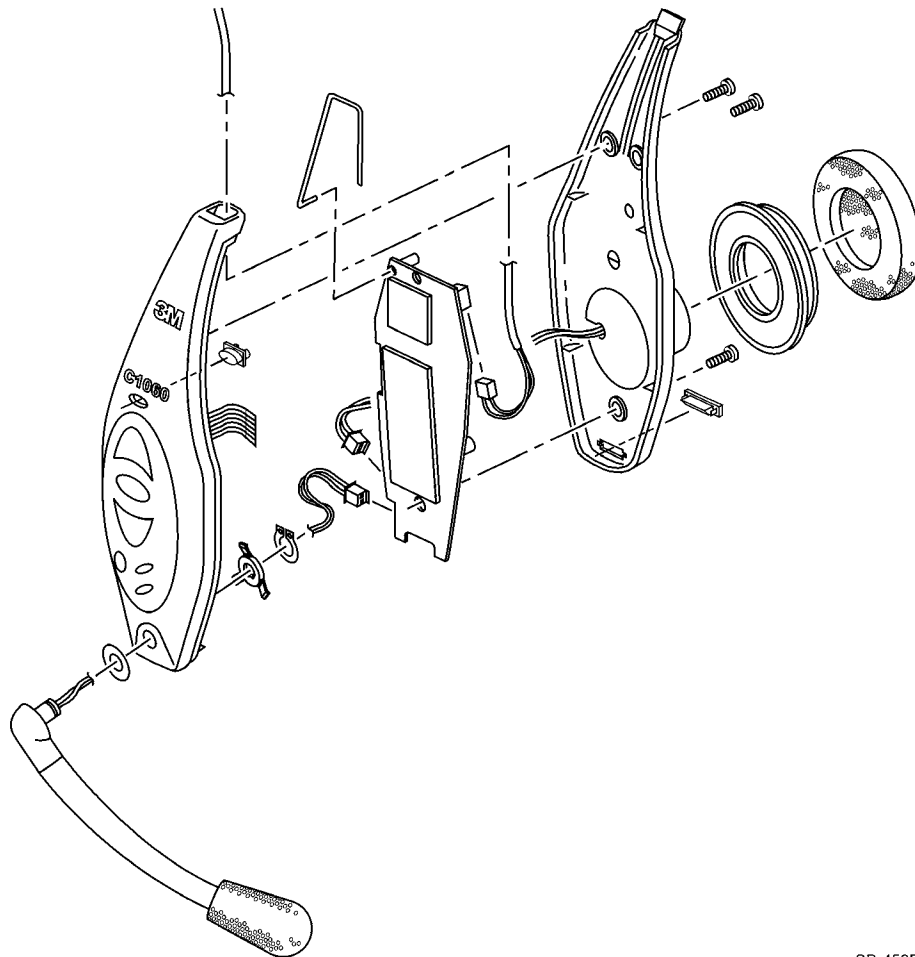
**Caution**

Make sure you set the retaining ring tool adjustment screw to limit how far the retaining ring is expanded. Unless this is done, the retaining ring will stretch out of shape to a point where it will not stay in its groove.

2. Remove the Spring Washer, Nylon Washer, and Mic Boom.
3. Reinstall the Mic Boom by performing steps 1 – 3 in reverse order.

**Caution**

Care must be taken when reinstalling Mic Boom Retaining Ring to not roll the edge of the shaft into the ring retention slot.

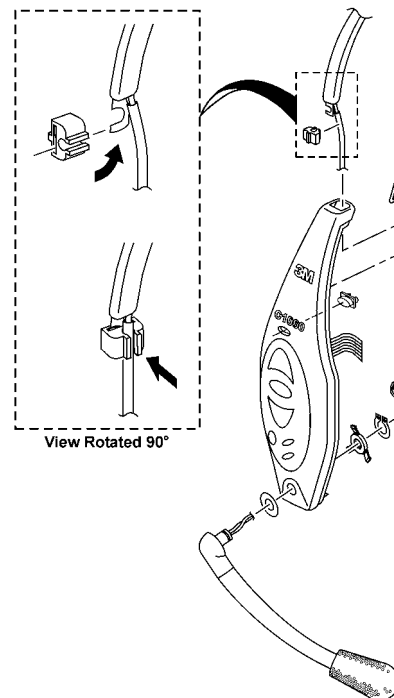


SP-459R

## Service Procedures (continued)

### Reassembly procedure

1. Replace Mic Boom assembly as described. (see previous section Mic Boom Assembly.)
2. Install Main PWA and antenna in Outer Case.
3. Connect Mic Boom cable to bottom connector on PWA.
4. Connect switch bezel ribbon cable by first making sure the two locking tabs on the sides of the ribbon connector are released (positioned toward the edge of the PWA). Take care to insert the ribbon cable into the center of the connector, not underneath the connector. Make sure the ribbon cable is inserted straight on, not skewed. To lock, move both tabs toward the connector with your finger tips.
5. Insert power cable and Headband through the top of Outer Case with Headband curve arching away from the front of the Outer Case.
6. Grasp Headband Clip with open wire groove up and side slot facing Headband. Insert on Headband and rotate 90 degrees in place.
7. Carefully press the power wires, one on top of the other, into the open wire groove of the Headband Clip. Be sure to press the wires completely down into the wire groove.
8. Plug in the power cable connector located at the top of the PWA. Route the power cable between the On-Off Button and the large capacitor on the PWA. The power cable MUST route down the center of the PWA or the Headband will not extend properly.
9. Plug the speaker cable into the top connector of the two connectors located near the bottom of the Main PWA.
10. Align Headband Clip into Outer Case tracks.
11. Assemble the case halves by inserting the tab at the top of the Inner Case through the slot at the top of the Outer Case and carefully lower the Inner Case over the On-Off Button and snap it shut at the bottom. Care must be taken not to pinch any wires.
12. Reinstall the battery, power up and checkout operation of the headset, including Headband slide.
13. Replace three case screws, Ear Cup and Ear Pad on Inner Case.



## Replacing the Headband Assembly

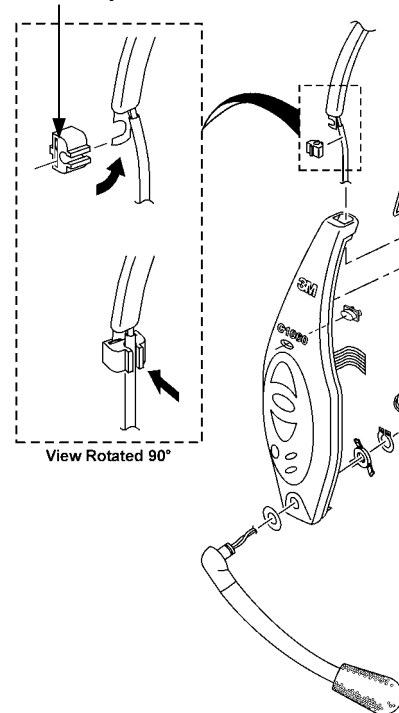
### Tools Required:

- 1 - Small size Phillips Screwdriver
- 1 – Soldering iron

### Procedure:

1. Make sure power is off and remove the battery.
2. Remove the Ear Pad and Ear Cup.
3. Remove three screws from the Inner Case.
4. Separate the case halves by pulling the Inner Case down, then apart at the bottom. Carefully raise the Inner Case just over the On-Off Button and slide down slightly to separate. Support the Inner Case so the speaker cable is not strained.
5. Disconnect the power connector located at the top of the Main PWA.
6. Carefully pull the power wires out of the top groove of the Headband Clip as shown in illustration.
7. Remove the Headband Clip from the Headband end by rotating it 90 degrees and pulling it free of the headband.
8. Pull the Headband Assembly and cable out of the Outer Case.
9. Refer to Instructions for “Replacing Battery Holder Parts”.
10. Reassemble by inserting power cable and Headband through the top of Outer Case with Headband curve arching away from the front of the Outer Case.
11. Grasp Headband Clip with open wire groove up and side slot facing Headband. Insert on Headband and rotate 90 degrees in place.
12. Carefully press the power wires, one on top of the other, into the open wire groove of the Headband Clip. Be sure to press the wires completely down into the wire groove.
13. Plug the power cable into the connector located at the top of the PWA. Route the power cable between the On-Off Button and the large capacitor on the PWA. The power cable **MUST** route down the center of the PWA or the Headband will not extend properly.
14. Plug the speaker cable into the top connector of the two connectors located near the bottom of the Main PWA.
15. Assemble the case halves by inserting the tab at the top of the Inner Case through the slot at the top of the Outer Case and carefully lower the Inner Case over the On-Off Button and snap it shut at the bottom. Care must be taken not to pinch any wires.
16. Reinstall the battery, power up, and checkout operation of the headset, including Headband slide.
17. Replace three case screws, Ear Cup and Ear Pad on Inner Case.

Headband Clip



## Service Procedures (continued)

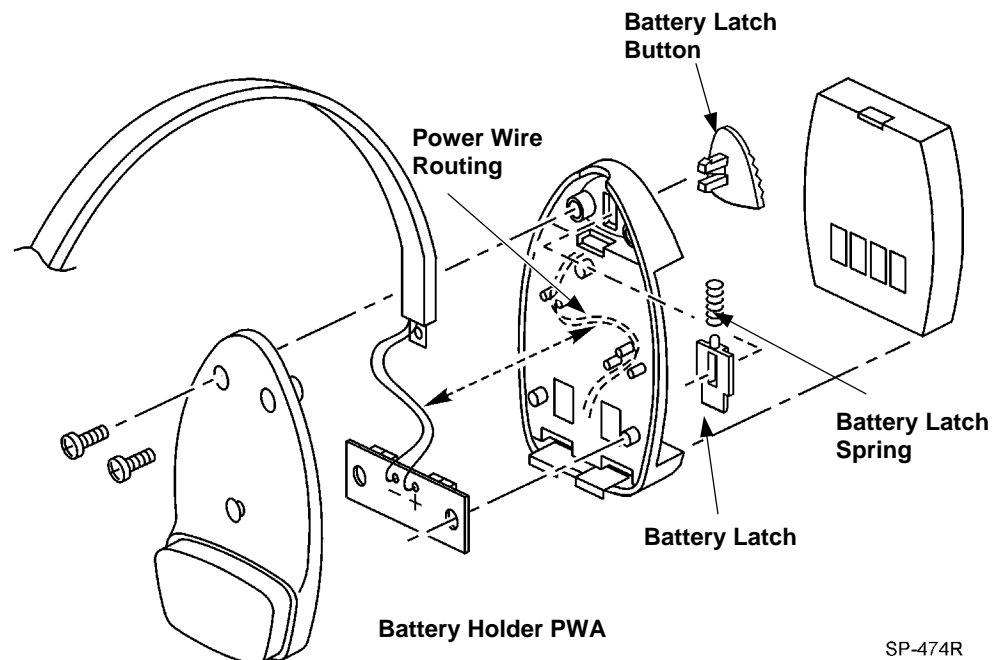
### Replacing Battery Holder Parts

#### Tools Required:

- 1 – Number 0 Phillips Screwdriver
- 1 – Soldering iron.

#### Procedures:

1. Make sure power is off and remove Battery.
2. Remove two screws and Cover. (If replacing old style Battery Contacts, discard all Battery Holder parts, they are not compatible with newer Battery Holder parts.)
3. Unsolder the two Battery Holder PWA wires.
4. Insert the Headband wires through the holes from the back side of the replacement Battery Holder PWA. Solder the **RED** wire to the + connection point and the **BLACK** wire to the – connection point.
5. Press the Battery Latch Spring onto the top peg of the Battery Latch. Insert the Latch with Spring down through the top of the Base as shown. The beveled bottom edge of the Latch **MUST** face the battery.
6. Press the top of the Spring into the small molded ribs located inside the top of the Base.
7. Insert the Battery Latch Button through the front of **BOTH** the Base and Latch. Squeeze the parts until they snap securely together.
8. Press the Battery Holder PWA onto the pegs of the Base noting that one hole is larger than the other.
9. Place the hole in the Headband over the retaining peg in the Cover. Route the power wires between the two posts near the top and the three posts near the bottom as shown. Be careful to avoid pinching wires while replacing Cover and two screws.
10. Install new Headband Pad on Battery Holder Cover.



---

**Service Procedures** (continued)**Checking out Headset Operation****Tools Required:**

Functioning Wireless Intercom System with at least one additional model C1060 Headset.

**Procedure:****NOTE**

Check headset operation before replacing the case screws. It is a good idea to simply snap the case together without the screws until the headset is completely checked out.

1. Make sure a fully charged battery is installed in the headset being tested.
2. Turn on the headset and cycle through all of the operating modes described in *Headset Intercom System Model C1060 Operating Instructions*. These Operating instructions are available by ordering 3M Stock Number 70-0710-3648-0
3. Replace three case screws, ear cup and pad.